

RUMBA 13 NV R507 (COD. E1391M0000)



Negative - ventilated scooping display cabinet

Technical data

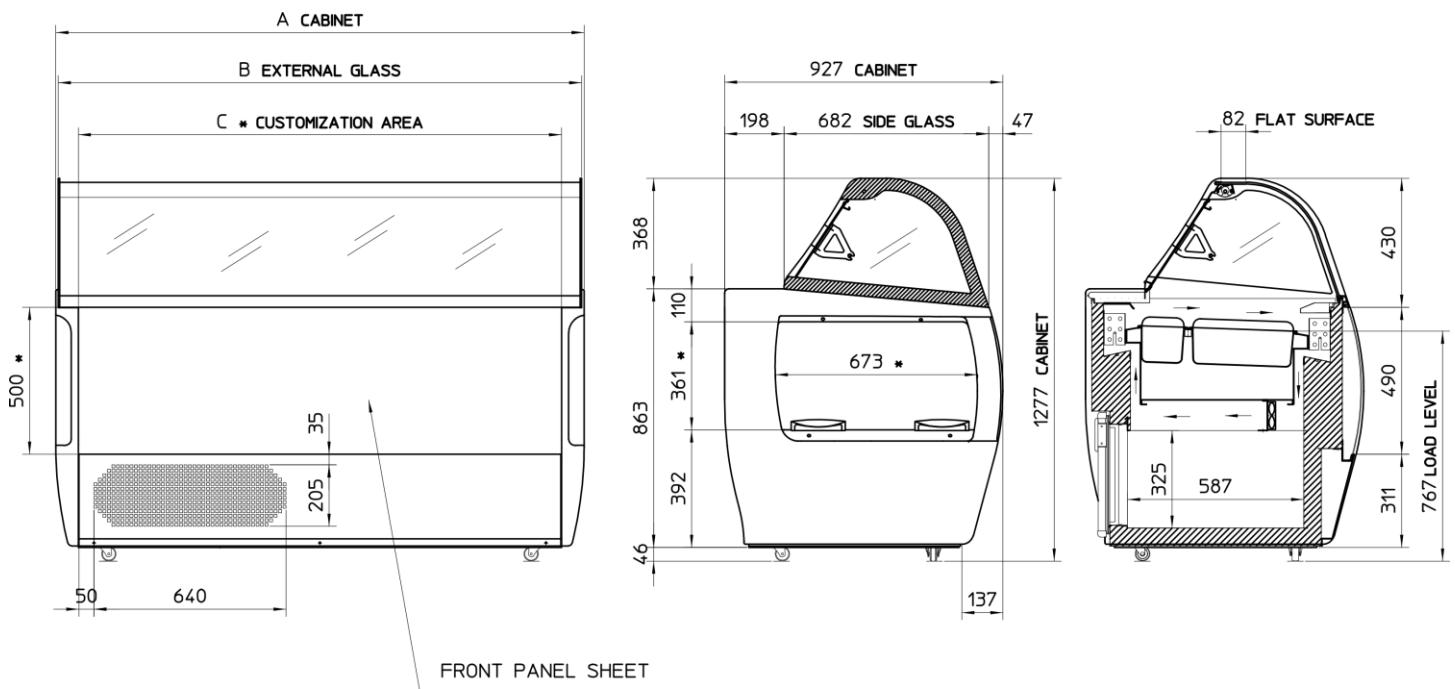
Temperature	-18°C -20°C
Voltage and Frequency	230 V~ 50 Hz
Gas	R507
Net dimension	1760 x 927 x 1277 mm (l x p x h)
Packed dimension	1860 x 1000 x 1400 mm (l x p x h)
Gross capacity	582 l
Net capacity	418 l
Gross weight	196.00 Kg
Net weight	151.00 Kg
Heat insulation	Rigid polyurethane foam "HCFC/CFC/HFC" free
Inner tank	White prepainted steel sheet + stainless steel sheet AISI 304
Frontal panel	Plasticised silk screened steel sheet
Shoulder	Plastic beige
Glass	Insulating Upper curved glazed cabinet
Frontal grid	Plasticised steel sheet beige
Back grid - colour	White plasticised steel rod
Compressor	1+ HP
Condensator	Wire and tube - maintenance free with powered fan
Evaporator	2 ventilated packed evaporation system (and defrosting resistance) + evaporator coil foamed in the reserve
Defrosting	automatic defrosting with automatic water evaporation
Climatic class	4 (30°C-55%RH)
Plug	European - Angular Plug
Thermometer/Thermostat	Electronic
Quantity of 5 liters stainless steel containers (not included)	13 for displaying ice cream and 16 in the reserve
Standard equipment	Separate reserve accessible via a door - 4 wheels - internal LED light with switch
Optional	Stainless steel containers - Portions-washing - price holder
Brand	FRAMEC
Producer	Mondial Group

RUMBA 13 NV R507 (COD. E1391M0000)



Negative - ventilated scooping display cabinet

Layout



MODEL	A	B	C frontal customization area	* lateral customization area
RUMBA 10 VENT.	1367	1351	1217 x 500	361 x 673
RUMBA 13 VENT.	1760	1744	1610 x 500	361 x 673

RUMBA 10-13 NV

S_46469 - 00

Updated on
24/11/2016

**RUMBA 13 NV R507
(COD. E1391M0000)**



Negative - ventilated scooping display cabinet

Image

